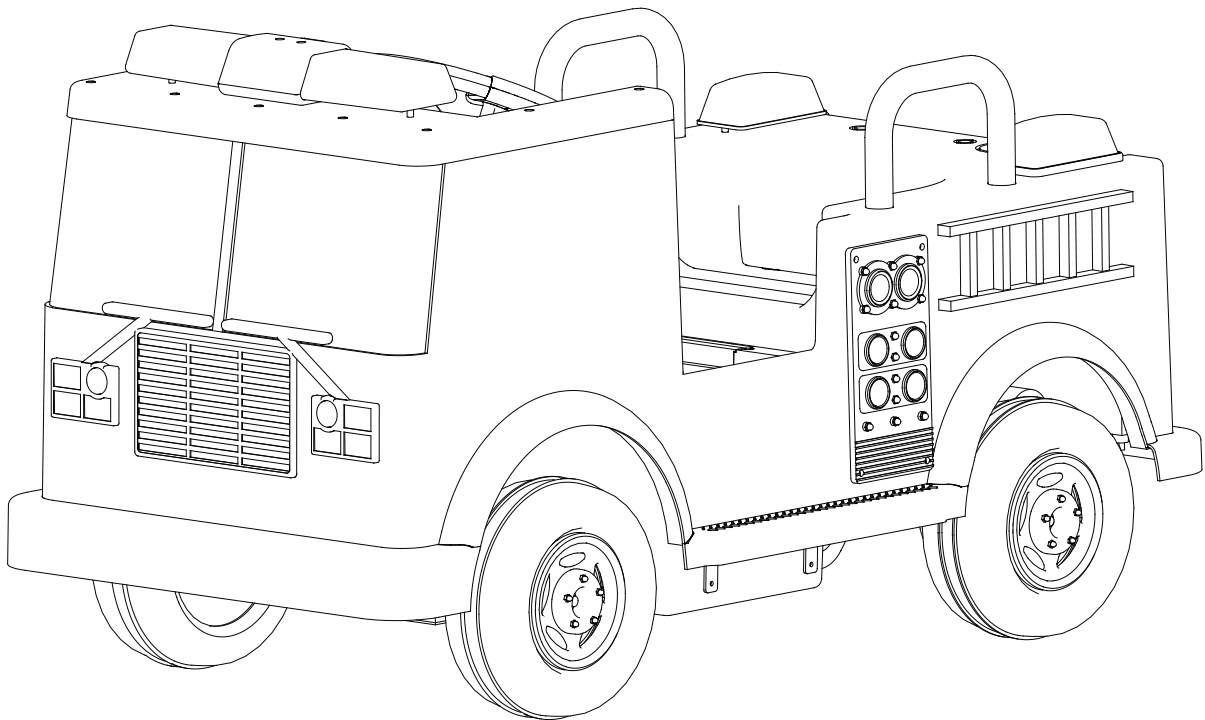




Battery Operated Ride-On Vehicle

Assembly Manual & User's Guide
BATTERY OPERATED FIRE ENGINE
Model NO.40027-12V



Adult Assembly Required

Please read this manual carefully before assembly and use.

Vehicle/Battery Specifications

Age:3-7 Years

Vehicle weight limit: 45kg / 100 Lbs

Speed:Max speed 3.0-4.8 KM/H; 2-3 MPH

Battery Type:Sealed lead-acid rechargeable,12 volt 7Ah

Charging time:Always charge the battery for 8-10 hours before first use
and when charging is needed.Never charge over 20 hours.

Battery Life:Recharging about 300 times.

Power input for Charger:A/C 120 volts 60Hz

Power output to battery:DC 14 volts,1000 mA

Manufactured By:

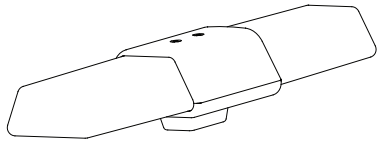
Kalee Children's Products Co.,Ltd.

Wuli Industrial Zone,Jinjiang,Fujian,China

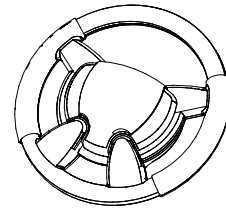
<http://www.kalee.com>

Parts List:

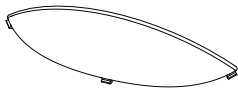
Before assembly you should check to see that the following parts are included:



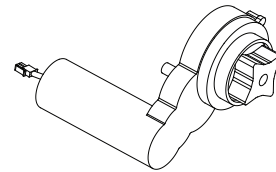
Light Bar



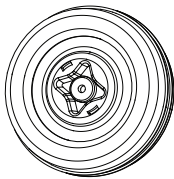
Steering Wheel



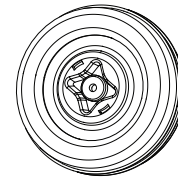
Meter Panel



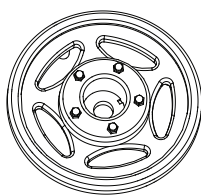
Gear Box



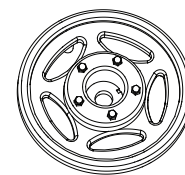
2 pcs Front Wheel



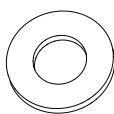
2 pcs Rear Wheel



2 pcs Front Wheel Cover



2 pcs Rear Wheel Cover



4 pcs Washers

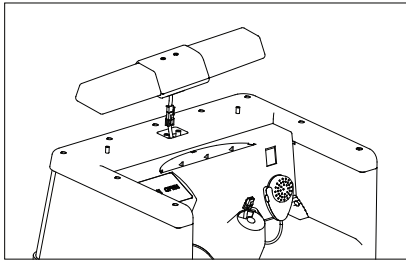


Wrench

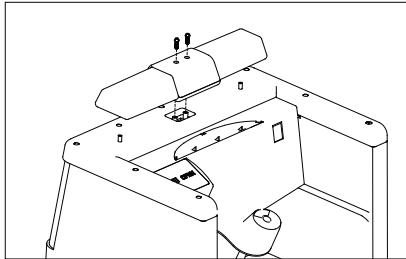


4 pcs M8 Nut

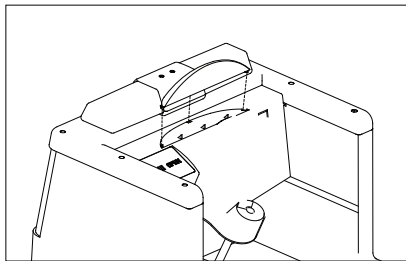
How to assemble the vehicle



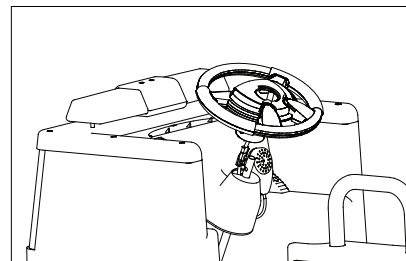
1. Connect the plug on the light bar to the plug on the body;



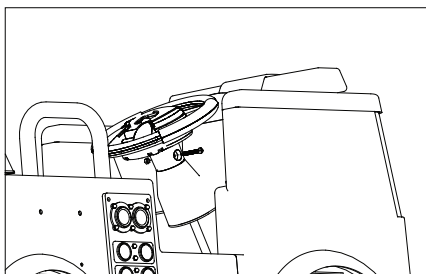
2. Position light bar on top of the vehicle. Secure with the 2 screws provided;



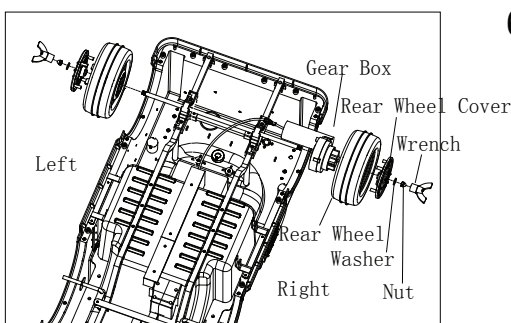
3. Position the Meter Panel and snap into place;



4. Connect the plug on the steering wheel to the plug from the meter panel;



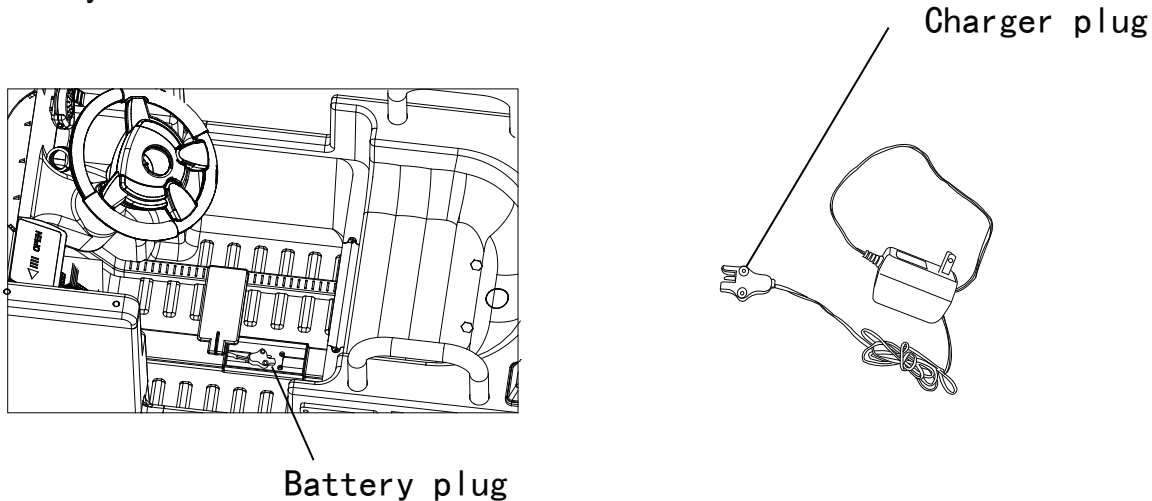
5. Place the steering wheel onto the steering column and secure with screw.



6. Position the gear box onto the right side, rear axle, put the rear wheels, rear wheel covers and washers onto each side of the rear axle, secure the nuts with the wrenches. Place the front wheels, front wheel covers and washers onto each side of the front axle, secure the nuts with the wrenches.

CHARGING THE BATTERY

- 1) The vehicle is shipped with the battery unplugged. The vehicle must be charged up before the first use.
- 2) Locate one red plug and one white plug on the underside of the vehicle. The white plug goes to the battery and the the red plug goes to the foot pedal. Connect the white battery plug to the red plug on the battery charger. Then plug charger into a household wall outlet. When charging is complete, reconnect the battery plug to the vehicle plug.
- 3) Make sure that the local voltage is the same as the charger before charging the battery



WARNING— Only use the charger specified by the manufacturer.

Battery/charger Safety and Warnings

- ◆ The charger is not a toy. The battery should be charged by adults only. Do not allow children to play with charger or to recharge the battery.
- ◆ Before the first use, you should charge the battery for 8–10 hours. Do not charge the battery for more than 20 hours to avoid overheating the charger.
- ◆ It is normal for the adapter to feel warm during charging, but if the charger feels very hot, stop charging, unplug charger and check the battery and adapter.
- ◆ When the vehicle begins to run slowly, recharge the battery.
- ◆ To lengthen the life of the battery, always charge the battery before storing and at least every three months thereafter.
- ◆ Use only batteries of the same or equivalent type as recommended by the manufacturer.
- ◆ Do not connect the battery terminals directly together or the battery will short circuit.
- ◆ Charger should be examined regularly for damage to the cord, plug and other parts. If any damage is found the charger should be repaired or replaced immediately. Do not use damaged charger.

Vehicle Safety Warnings:



WARNING:

To reduce the risk of injury, adult supervision is required.

Never use in roadways, near motor vehicles. On or near steep inclines or steps, swimming Pools or other bodies of water, always wear shoes, and never allow more than 1 rider.

- Use the toy only on flat surface, such as inside your house, garden, or playground. Do not ride the vehicle in dangerous places such as busy streets, roads, or highways.
- Never use near swimming pools or other bodies of water.
- Never ride the toy in the mud or sandy areas. Never ride in hilly areas or on steep slopes. This vehicle was made to operate on dry level ground.
- Never ride in the dark or in dimly lit areas.
- Clean the vehicle only with a damp cloth and never submerge vehicle in water or spray vehicle with water from a hose.
- Only one person should ride this vehicle at a time.
- Do not exceed recommended weight limit.
- Please keep these instructions for reference about usage, storage and safety guidelines.
- If vehicle is equipped with forward/reverse switch, never press this switch while vehicle is in motion. Always stop the vehicle before switching directions.



WARNING

Contains small parts. Sharp points and sharp edges. Adult assembly required.



WARNING

Choking Hazard - Small parts
Not for children under 3 years old